



# Under Cabinet Color Selectable LED Light

## Product Specifications



The Under Cabinet Color Selectable LED Light provides task or accent lighting in commercial, retail, hospitality and residential applications. Ideal for use under and over cabinets, display cases, task lighting, office lighting, coves and utility/work areas. The color selectable light provides high lumen output, smooth illumination and increased energy efficiency.

## Reasons to choose the Under Cabinet Color Selectable LED Light from TCP

- Color selectable: 3000K/4000K/5000K
- Integrated LED design
- Seamless connection
- Easy installation
- No flickering, no dark shadows
- 0.8mm aluminum housing for excellent heat dissipation
- Included 5' power cord, 10" connector cable, small connector and screws
- ETL approved for damp locations
- Linkable design

## Ideal Applications

- Under and over cabinets
- Display cases
- Task Lighting
- Office Lighting
- Coves
- Utility / Work Areas



## Specifications

Input Frequency.....	100-277V
Wattage(W).....	4, 7, 12W
Lumens(l).....	420, 735, 1260L
LPW .....	105
CRI.....	80
Minimum Start Temperature .....	5°F (-15°C)
Maximum Operating Temperature.....	104°F (40°C)
Rated Life.....	50,000 hours
Warranty.....	5 years

## Applications

Ideal for use under and over cabinets, display cases, task lighting, office lighting, coves and utility/work areas

## Construction

- Integrated LED design
- 0.8mm aluminum housing for excellent heat dissipation

## Electrical

- Included 5' power cord, 10" connector cable, small connector and screws
- ETL approved for damp locations
- Seamless connection for end-to-end installation
- 50,000 hour rated life

## Optics

- Smooth, uniform dimming
- Frosted lens cover

Item Number	
Notes	Type



### Listings

UL/cUL Listed  
IC Rated

### Warranty

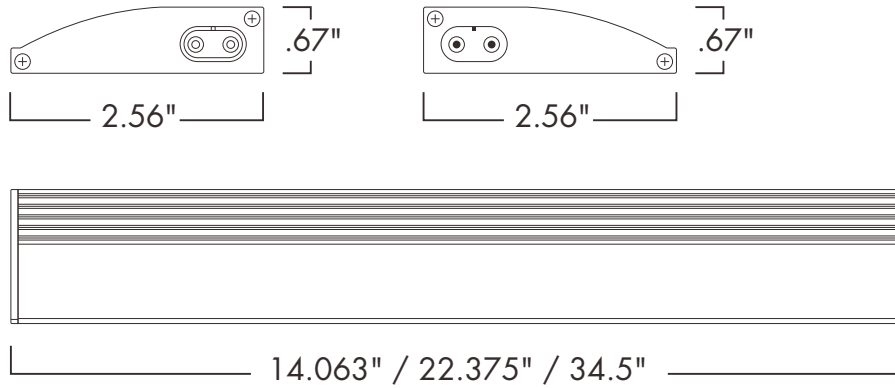
Five year limited warranty against defects in manufacturing.

## Connector Cable (included)

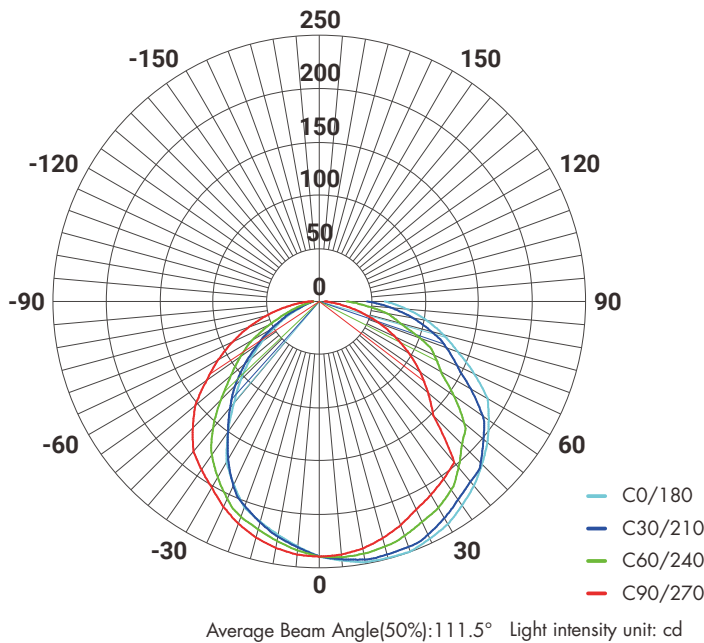


ITEM #	DESCRIPTION	WATTAGE	LUMENS	LPW	CRI	CCT SELECTABLE
CAB15UCCT	15" UNDER CABINET LIGHT	4	420	105	80	30K/40K/50K
CAB24UCCT	24" UNDER CABINET LIGHT	7	735	105	80	30K/40K/50K
CAB36UCCT	36" UNDER CABINET LIGHT	12	1260	105	80	30K/40K/50K

## Dimensions



## Photometric Report



# TECHNOLOGY CAST IN A BEAUTIFUL LIGHT

For over 30 years, TCP has been designing, developing and delivering energy-efficient lighting into the market. Thanks to our cutting-edge technology and manufacturing expertise, we have shipped billions of high quality lighting products. With TCP, you can count on a lighting product that is designed to meet the needs of the market - that transforms your surroundings and envelopes you in warmth - lighting that generates beauty with every flip of the switch.

Sales:

Date:

Model:

Project:

Rep:

Catalog Number:

Type:

Notes:



For more information on the quality and care TCP can deliver, call us at **800.324.1496** or visit [tcp.com](http://tcp.com)

325 Campus Dr. | Aurora, Ohio 44202 | P: 800.324.1496 | F: 877.487.0516