



Traditional Color Selectable Cylinder Half Sconce

Product Specifications



TCP's Traditional Color Selectable Cylinder Half Sconce provides long-lasting illumination for both residential and commercial applications. Durable construction includes powder coated steel and acrylic lens. The 15-watt sconce is rated to last 50,000 hours with no bulbs to replace!

Reasons to Choose the Traditional Color Selectable Cylinder Half Sconce from TCP

- Color selectable: 3000K, 4000K, 5000K
- Brushed nickel powder coated steel and frosted white acrylic lens
- Integrated LED Design
- Three-year limited warranty
- Dimmable
- 50,000 hour rated life with no bulbs to replace

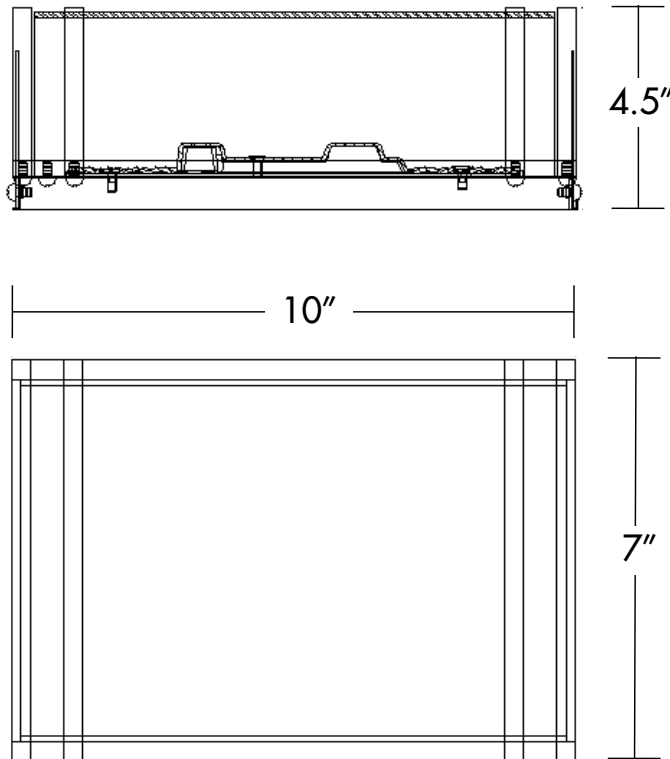
Ideal Applications

- Residential
- Hospitality
- New construction
- Remodeling

Specifications

Input Line Voltage	120V	Color	Selectable 3000K, 4000K, 5000K
Input Line Frequency	60Hz	Lamp Life (hours)	50,000
Wattage (W)	15W	Minimum Starting Temperature	-20°C (-4°F)
Lumens (L)	1050L	Maximum Operating Temperature	50°C (122°F)
LPW	70	Certification	cETLus
CRI	80	Warranty	3-year limited

Dimensions



Ordering Information

ITEM #	DESCRIPTION	COLOR TEMP
THSC1CBNDCCT	Traditional Color Selectable Cylinder Half Sconce BN Dim CCT	30K/40K/50K