

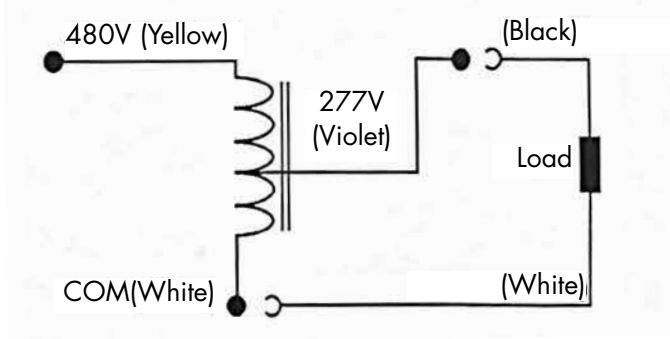
Product Description

- 70VA Step-down Transformer

Technical Data

Input voltage (V).....	480
Rating.....	70
Frequency.....	60Hz
Max Input Circuit (A).....	0.16
Max Output Circuit (A).....	0.25
Max Load (VA).....	70
Output Voltage (V).....	277
Full Load:	
EFF. (%).....	90
THD (%).....	5.0
Power Factor.....	0.983
Max Net Weight (lbs).....	1.78
Lead Length (inches).....	8±0.5

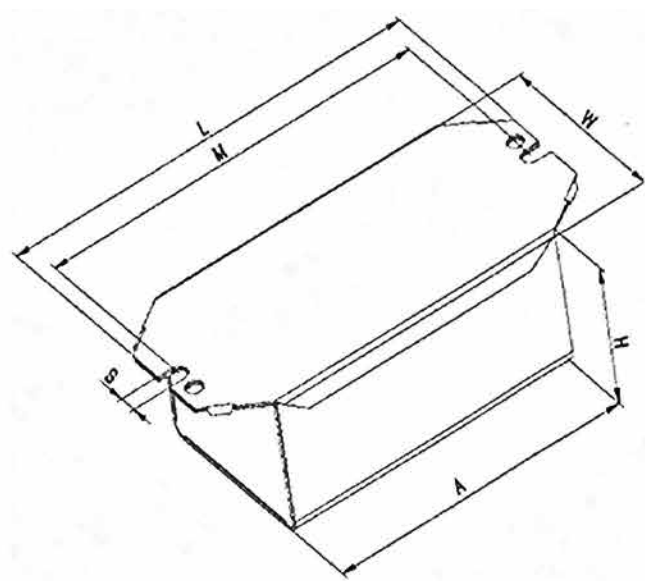
Wiring Diagram



Listing
UL Listed

Warranty
5 year limited warranty

Dimensions



- L. 121mm × W. 54.5mm × H. 40.8mm
L. 4.76" × W. 2.14" × H. 1.6"
- M. 110.7mm × A. 89mm × S. 5.5mm
M. 4.35" × A. 3.5" × S. 0.21"

Item #	DESCRIPTION
70VASTEPDWN	70VA Step-down Transformer

Specifications and dimensions subject to change without notice.

For the most up-to-date specs and warranty information, please visit www.tcpi.com

TECHNOLOGY CAST IN A BEAUTIFUL LIGHT

For over 30 years, TCP has been designing, developing and delivering energy-efficient lighting into the market. Thanks to our cutting-edge technology and manufacturing expertise, we have shipped billions of high quality lighting products. With TCP, you can count on a lighting product that is designed to meet the needs of the market - that transforms your surroundings and envelopes you in warmth - lighting that generates beauty with every flip of the switch.

Sales:

Date:

Model:

Project:

Rep:

Catalog Number:

Type:

Notes:



For more information on the quality and care TCP can deliver, call us at **800.324.1496** or visit tcp.com

325 Campus Dr. | Aurora, Ohio 44202 | P: 800.324.1496 | F: 877.487.0516