

IMPORTANT: Must be installed by a qualified electrician.

Please read instructions before proceeding with installation. Keep these instructions for future reference.

⚠ WARNING

RISK OF ELECTRIC SHOCK

- Turn off power prior to inspection, installation or removal of fixture.
- Ensure electrical enclosure is properly grounded in accordance with National Electrical Code (NEC).

RISK OF FIRE

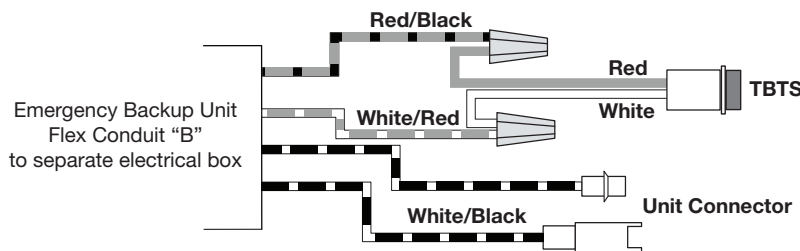
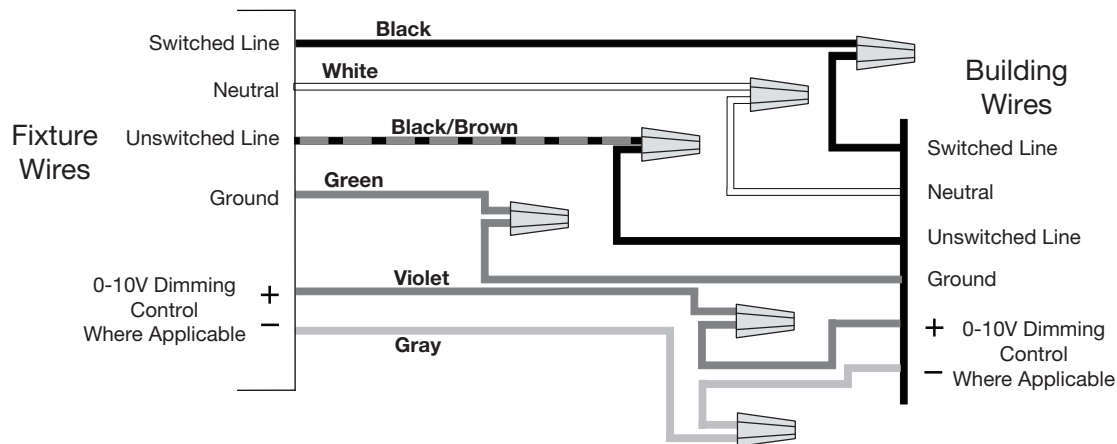
- Product must be installed in accordance with NEC and/or applicable local codes by a qualified licensed electrician.
- Wiring connections should be made with UL approved wire connectors.

THIS PRODUCT MUST BE INSTALLED IN ACCORDANCE WITH THE APPLICABLE INSTALLATION CODE BY A PERSON FAMILIAR WITH THE CONSTRUCTION AND OPERATION OF THE PRODUCT AND THE HAZARDS INVOLVED.

ATTENTION

- Use care when handling the luminaire. Do not drop, press, or bend the light panel to avoid damage during installation.
- Prior to installation, carefully unpack and properly inspect luminaire for any damage or loose connections that may have occurred during shipping.

ELECTRICAL CONNECTION



NOTE: For connection to dimming controls, consult control manufacturer's wiring instructions.

USE ONLY UL LISTED WIRING CONNECTORS AND UL LISTED WIRING HAVING A MINIMUM TEMPERATURE RATING AS SHOWN ON THE FIXTURE LABEL. USE ONLY UL LISTED CORDS. IF SUPPLIED WITH A CORD WITH UL LISTED STRAIN RELIEF THAT IS RATED FOR THE CORD.

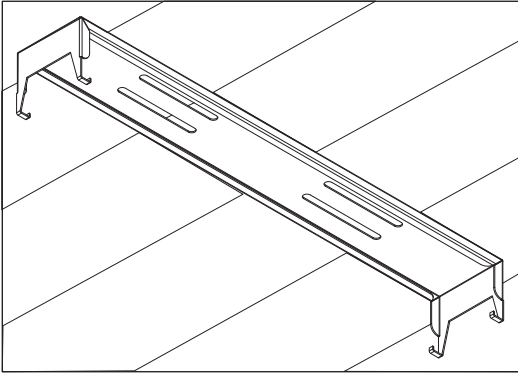
continued on next page

SAVE THESE INSTRUCTIONS

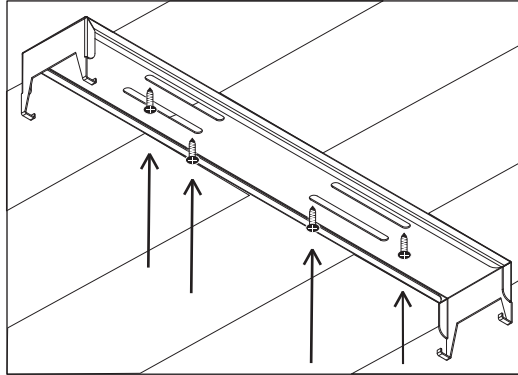
QHB Mounting Kit Assembly (hardware not provided)

Option 1 (QHB without the battery backup unit):

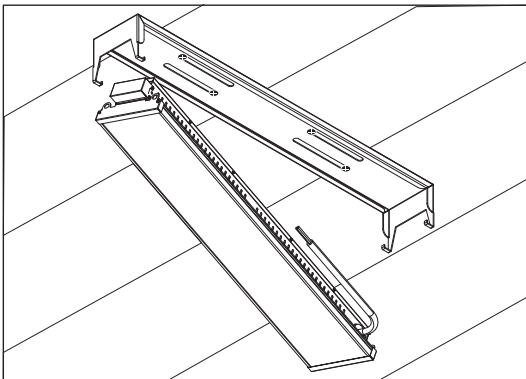
Step 1: Position the mounting bracket on the ceiling.



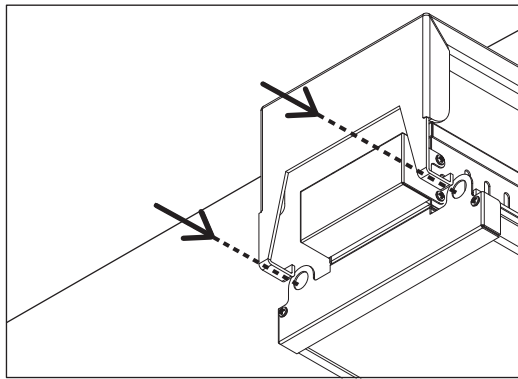
Step 2: Secure the mounting bracket using appropriate customer supplied anchor screws, toggle bolts or suitable fasteners (depending on structural conditions) by placing the fasteners in the mounting kit slots and securing them to the ceiling.



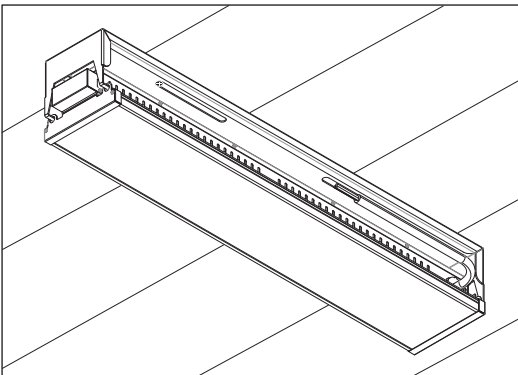
Step 3: Line up one end of the curved metal hooks with the slots on one end of the QHB body.



Step 4: Fit the brackets through the holes.



Step 5: Repeat Steps 3 and 4 on the other side of the QHB.



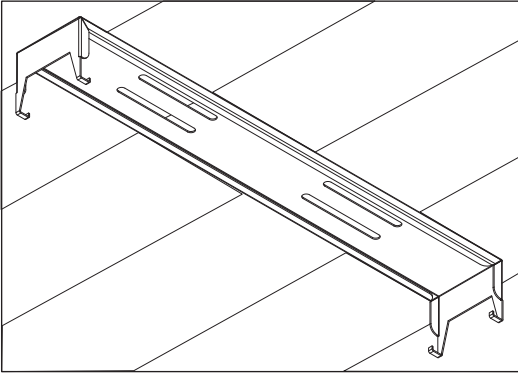
continued on next page

These instructions are not intended to cover all details or variations in your equipment or your particular requirements for installation, operation or maintenance. Should further information on this product be needed that is not covered by these general installation instructions, please contact the TCP Customer Service Department at phone number 800-324-1496 for further assistance.

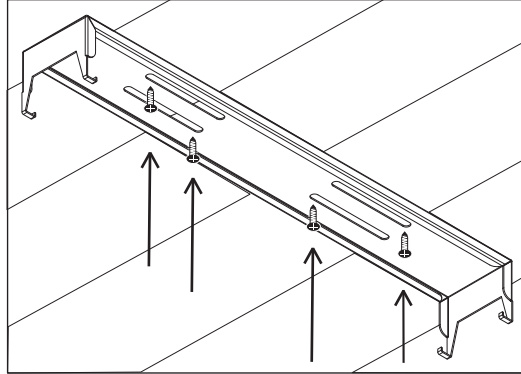
SAVE THESE INSTRUCTIONS

Option 2 (QHB with the battery backup unit):

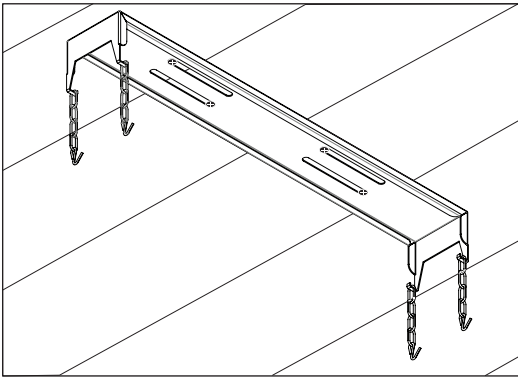
Step 1: Position the mounting bracket on the ceiling.



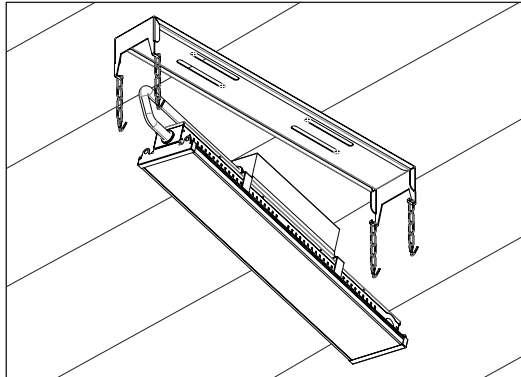
Step 2: Secure the mounting bracket using appropriate customer supplied anchor screws, toggle bolts or suitable fasteners (depending on structural conditions) by placing the fasteners in the mounting kit slots and securing them to the ceiling.



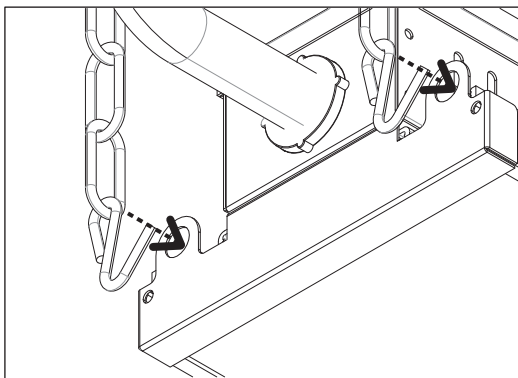
Step 3: Fit the chains through the brackets on the QHB mounting bracket.



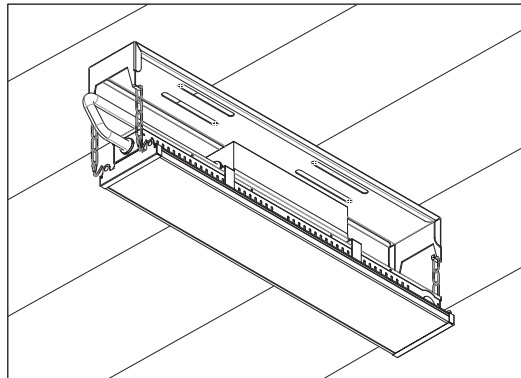
Step 4: Line up one end of the curved metal hooks with the hanging chains on one end of the QHB body.



Step 5: Fit the chains through the holes.



Step 6: Repeat Steps 4 and 5 on the other side of the QHB body.



continued on next page

These instructions are not intended to cover all details or variations in your equipment or your particular requirements for installation, operation or maintenance. Should further information on this product be needed that is not covered by these general installation instructions, please contact the TCP Customer Service Department at phone number 800-324-1496 for further assistance.

SAVE THESE INSTRUCTIONS