



# Q Series Aisle Light

## Product Specifications



The Q Series Aisle Light by TCP incorporates the special needs of grocery and high-end shopping applications into the fixture design. The 24° angle between light bars provides a 144° beam angle, uplight to reduce “cave effect”, and a delivered light focused on the product display. Incorporating customer values into the design, the aisle light includes a 97+ CRI with balanced R9 values and uniform spectrum to drastically bump up the visual color realization of products on display while customers enjoy their experience with a feeling of sunlight.

## Reasons to choose the Q Series Aisle Light from TCP

- TCP Quick Connect system\*
- High CRI options available
- Uniform spectrum - removal of blue peak from spectrum content
- Uplight - no cave effect
- V-shape directs light where you need it most - on the product
- 144° light spread



\*Scan me with your phone to see the Aisle Light in action!

## Ideal Applications

- High-end retail settings
- Grocery stores
- Architectural applications
- Commercial & Industrial
- Warehouses

## Specifications

Input Line Voltage .....	120-277 VAC
Input Line Frequency.....	50/60Hz
Wattage.....	35/45/55/110W
Lumens (80 CRI).....	4725/6075/7425/14850L
Lumens (90 CRI, R9>50) .....	4025/5175/6325/12650L
Lumens per Watt (80 CRI) .....	>135 LPW
Lumens per Watt (90 CRI) .....	>115 LPW
Rated Life.....	50,000 hours
Minimum Starting Temperature .....	20°C (-4°F)
Maximum Operating Temperature.....	50°C (122°F)
CRI.....	>80 or >90
Power Factor .....	>0.9
THD.....	<20%
Ratings .....	cULus, damp location rated
Controls.....	0-10V dimming (standard)

## Features

- Lens wrap-around design provides uplight to reduce cave effect
- Lightweight, quick install construction
- Standard frosted lens for glare control
- No shadows - smooth, even lighting
- Damp location rated
- 0-10V smooth, no-flicker dimming
- Operating temperature: -4°F to 122°F
- Long 50,000 hour rated life
- Includes 6' quick connect 5-wire power cord
- 179° field angle

Item Number	
Notes	Type



**Listings**

cULus Listed  
RoHS Compliant  
DLC 5.1 Standard

**Warranty**

Five year limited warranty against defects in manufacturing.

## Hardware Included

- 10' Cable Hanger
- 6' TCP Quick Connect 5-wire cord

## Installation

Hang from a structural support. Before installation, please consult your local ordinances and building codes.

# Catalog Ordering Matrix

Example: QAL4UZDA29V440K

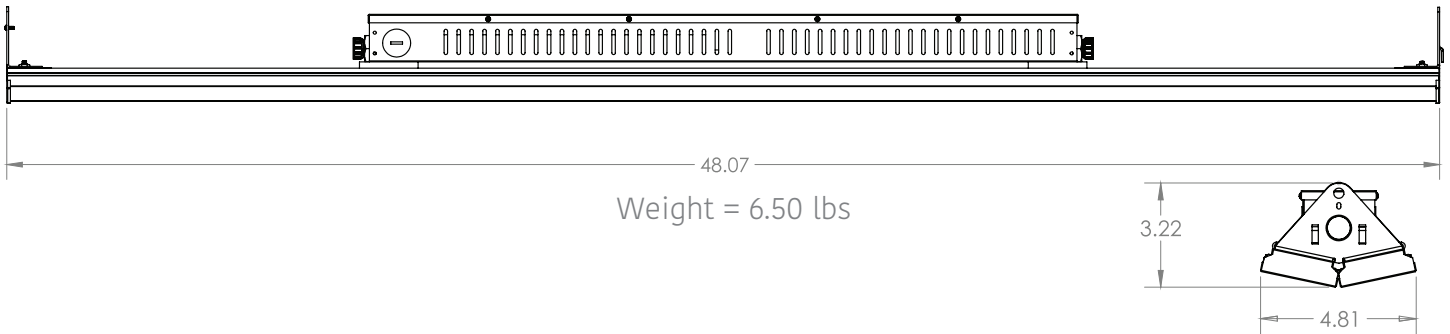
FAMILY	LENGTH	VOLTAGE	CONTROLS	LUMEN PACKAGE [Power] <sup>1,2</sup>	COLOR RENDERING INDEX	LIGHT BAR ANGLE	CCT	COLOR OPTION	FACTORY INSTALLED OPTIONS	FACTORY INSTALLED CONTROLS
QAL - Q Series Aisle Light	4 - 4 foot	U - 120-277V	ZD - 0-10V Dimming	A2 - 4725L (35W)	Blank - 80+ CRI	V4 - 12°	35K - 3500K 40K - 4000K 50K - 5000K	Blank - White BK - Black <sup>3</sup>	Blank - No Add-on B - Battery Backup	Blank - No controls
				A3 - 6075L (45W) A4 - 7425L (55W)* A8 - 14850L (110W)						
				A2 - 4025L (35W) A3 - 5175L (45W) A4 - 6325L (55W)* A8 - 12650 (110W)						

<sup>1</sup> Approximate lumen output. Actual performance may vary based on CCT, options selected and end use application  
<sup>2</sup> Actual wattage may differ by +/- 10%  
<sup>3</sup> Black and other special colors are a special order. Please contact your TCP representative for lead time  
 \* 55W unit is wattage selectable: 35/45/55W

## Field Installed Accessories

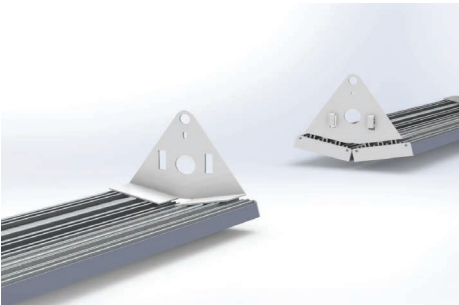
- Q5DAISY4FT - Quick connect 5-wire daisy chain cable
- QTLSMOUNT1 - Surface Mount Kit

## Wireline Dimensions



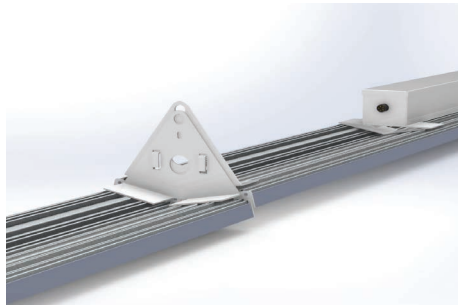
## TCP Quick Connect System

### Step 1:



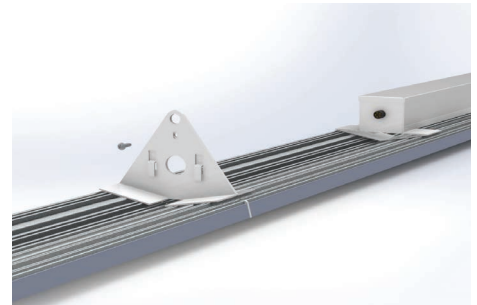
Align male and female ends of the quick connect triangles

### Step 2:



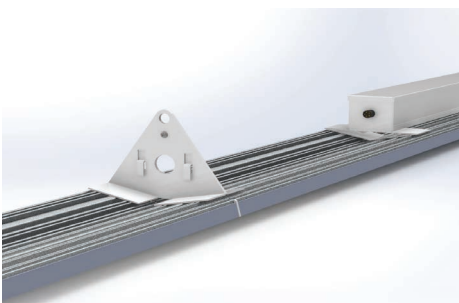
Slide together to fasten

### Step 3:



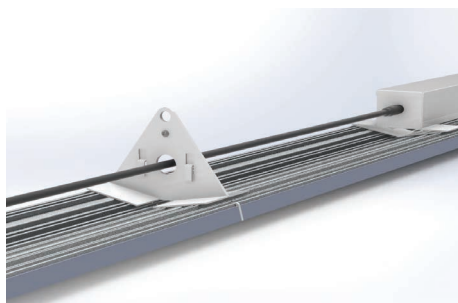
Fasten locking screw until tight

### Step 4:



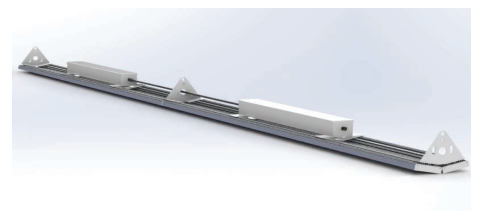
Mechanical connection complete

### Step 5:



Use Q5DAISY4FT TCP Quick Connect cable to daisy chain units together

### Complete:



### NOTE:

Electrical Daisy Chain Capabilities using Q5DAISY4FT:

55W model = 15 units in series

110W model = 8 units in series

TCP®

325 Campus Dr. | Aurora, Ohio 44202 | P: 800-324-1496 | tcp.com



5 YEAR WARRANTY

## 90+ CRI to boost colors of shelf product

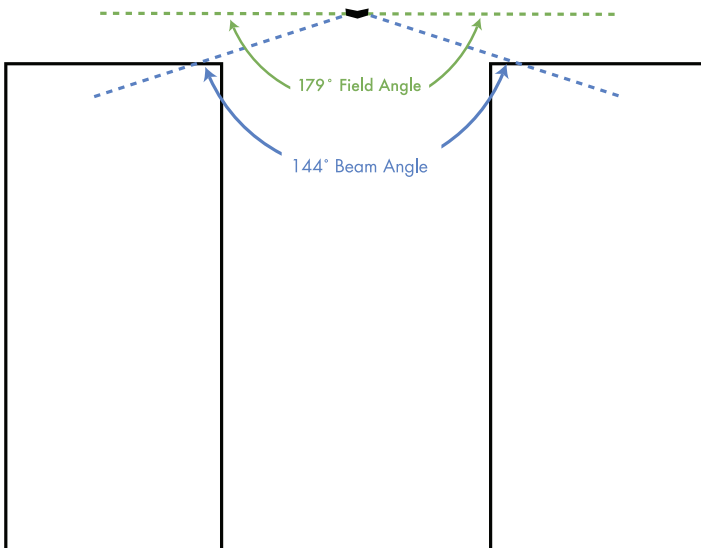


CRI >80



CRI >90

## 12 degree tilt results in a 144 degree beam angle



## High Wall Wash Applications



Q Aisle Light hung along wall. Eliminates cave effect in the upper corners of the room.

The Q Aisle Light can be used in a wide variety of applications such as retail shopping and grocery. The 144° beam spread eliminates cave effect all the way up to the corners of the room.

# TECHNOLOGY CAST IN A BEAUTIFUL LIGHT

For over 20 years, TCP has been designing, developing and delivering energy-efficient lighting into the market. Thanks to our cutting-edge technology and manufacturing expertise, we have shipped billions of high quality lighting products. With TCP, you can count on a lighting product that is designed to meet the needs of the market - that transforms your surroundings and envelopes you in warmth - lighting that generates beauty with every flip of the switch.

Sales:

Date:

Model:

Project:

Rep:

Catalog Number:

Type:

Notes:



For more information on the quality and care TCP can deliver, call us at **800.324.1496** or visit [tcp.com](http://tcp.com)

325 Campus Dr. | Aurora, Ohio 44202 | P: 800.324.1496 | F: 877.487.0516