



Outdoor 8" Square Flush Mount

Product Specifications



TCP's Outdoor 8" Square Flush Mount provides long-lasting illumination for both residential and commercial applications. This "bulb-in-a-box" solution comes prepackaged with an LED light bulb for ease of installation and a guarantee of high CRI, flicker-free LED performance.

Reasons to Choose the Outdoor 8" Square Flush Mount from TCP

- LED bulb included (A19, E26)
- Color Temperature: 3000K
- High 90 CRI value provides excellent color rendering and consistency
- White finish with frosted glass
- Five-year limited warranty
- Dimmable
- ETL listed for wet locations

Ideal Applications

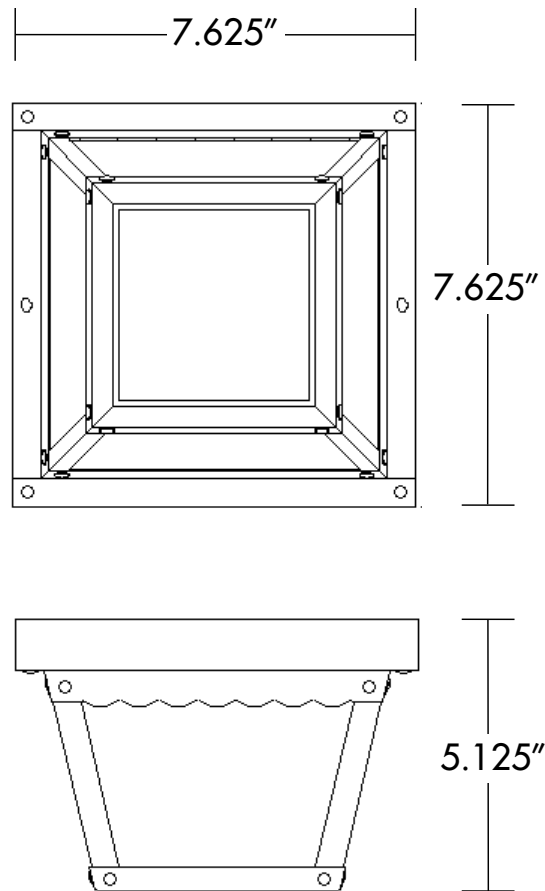
- Residential
- Hospitality
- New construction
- Remodeling



Specifications

Input Line Voltage	120V	Color Temperature	3000K
Input Line Frequency	60Hz	Lamp Life (hours)	25,000
Wattage (W)	10W	Minimum Starting Temperature	-22°C (-7.6°F)
Lumens (L)	800L	Maximum Operating Temperature	45°C (113°F)
LPW	80	Certification	cETLus
CRI	90	Warranty	5-year limited

Dimensions



Ordering Information

ITEM #	DESCRIPTION	DIMENSIONS	COLOR	TITLE 20	JA8
OFMSQ8D30K	Outdoor Flush Mount Square 8" WH Dim 30K	7-5/8"Wx5-1/8"H	3000K	Y	Y

TECHNOLOGY CAST IN A BEAUTIFUL LIGHT

For over 30 years, TCP has been designing, developing and delivering energy-efficient lighting into the market. Thanks to our cutting-edge technology and manufacturing expertise, we have shipped billions of high quality lighting products. With TCP, you can count on a lighting product that is designed to meet the needs of the market - that transforms your surroundings and envelopes you in warmth - lighting that generates beauty with every flip of the switch.

Sales:

Date:

Model:

Project:

Rep:

Catalog Number:

Type:

Notes:



For more information on the quality and care TCP can deliver, call us at **800.324.1496** or visit tcp.com

325 Campus Dr. | Aurora, Ohio 44202 | P: 800.324.1496 | F: 877.487.0516