



# Outdoor 10" Round CCT Selectable Flush Mount

## Product Specifications



The Outdoor 10" Round CCT Selectable Flush Mount provides long-lasting illumination for both residential and commercial applications such as walkways, entrances, stairwells, patios, driveways and storage areas. Choose 3000K, 4000K or 5000K color temperature to provide the preferred lighting for any environment.

## Reasons to choose the Outdoor 10" Round CCT Selectable Flush Mount from TCP

- Sleek design fits into many different environments
- Energy-efficient integrated LED provides instant energy savings
- Color selectable LED means the fixture can be used in a wide variety of locations
- Perfect for residential or commercial use
- 50,000 hour rated life minimizes replacement and maintenance costs
- Three-year limited warranty
- UL listed for wet locations

## Ideal Applications

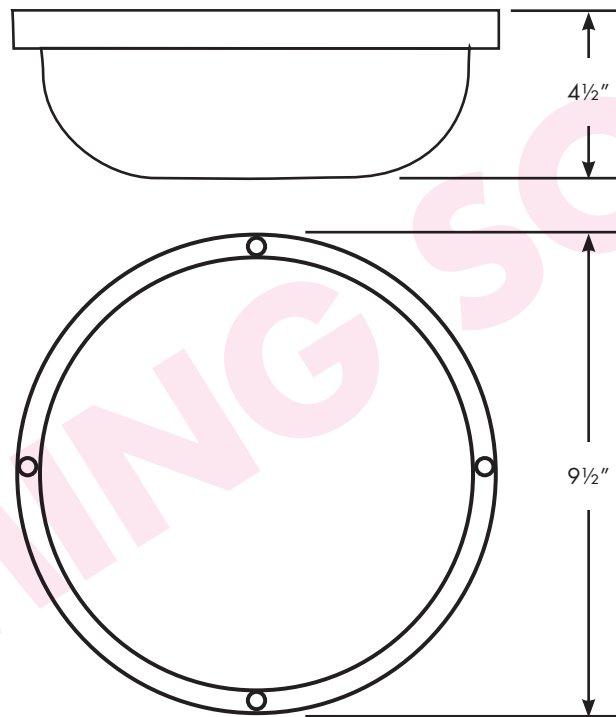
- Residential
- Hospitality
- Commercial
- Retail
- New construction
- Remodeling



## Specifications

Input Line Voltage .....	120V	Power Factor .....	>0.9
Input Line Frequency (Hz) .....	60Hz	Lamp Life (hours).....	50,000
Wattage (W).....	15W	Minimum Starting Temperature .....	-20°C (-4°F)
Lumens .....	1050L	Maximum Operating Temperature.....	50°C (122°F)
Lumens per Watt .....	70LPW	Environment.....	Suitable for wet locations
CRI .....	80	Certification .....	Energy Star
Color Temperature .....	3000K/4000K/5000K	Warranty .....	3 year limited warranty

## Dimensions



## Ordering Information

ITEM #	DESCRIPTION	FIXTURE COLOR	WATTAGE	LUMENS	ENERGY STAR
OFMRDBLDCCT	OUTDOOR FLUSH MOUNT ROUND 10" BLK DIM CCT	BLACK	15	1050	Y
OFMRDWHDCCT	OUTDOOR FLUSH MOUNT ROUND 10" WHT DIM CCT	WHITE	15	1050	Y