

LED General Purpose Strip Retrofit Kit

Product Specifications



TCP's LED General Purpose Strip Retrofit Kits are designed to easily replace the fluorescent lamps and ballast in an existing fluorescent strip fixture with an integrated LED lighting solution. The universal design fits most 4.25" and 5.25" wide T8/T12 fluorescent strips.

These LED retrofit kits significantly reduce energy consumption compared to the existing fluorescent systems, providing instant energy savings along with the ability to take advantage of potential utility rebates. A long 50,000 hour rated life significantly decreases maintenance labor and material costs over the life of the system.

TCP's LED General Purpose Strip Retrofit Kits incorporate a ribbed, frosted white diffuser lens to protect the LEDs and minimize glare, while delivering bright, uniform light.

Reasons to choose the LED General Purpose Strip Retrofit Kit from TCP

- Uses up to 58% less energy than traditional fluorescent systems for instant energy savings and potential rebate eligibility
- 50,000 hour rated life minimizes replacements and labor costs
- 0-10V dimming driver comes standard for smooth, continuous dimming
- Excellent color consistency and CRI enhance color of focal point while maintaining uniformity throughout a lighting installation
- Mercury-free construction is great for all environments
- Surface mount, suspended or pendant installation options makes it easy to install in both new and retrofit applications

Ideal Applications

- General Lighting
- Task Lighting
- Aisles
- Warehouses
- Storage
- Manufacturing Facilities
- Retail

Specifications

Input Line Voltage	120-277 VAC
Input Line Frequency (Hz)	50/60Hz
Lumens / Wattage (W)	
A Package:	
4 ft:	4,200L (32W)
8 ft:	8,500L (65W)
B Package:	
4 ft:	2,300L (18W)
8 ft:	4,900L (38W)
Lumens per Watt (LPW)	>130 LPW
Color Temperature (CCT)	3500K, 4000K & 5000K
Dimming	0-10V (standard)
Controls	Occupancy sensor w/ daylight harvesting (optional)
Rated Life	>50,000 hours
Operating Temperature	-20°C to 50°C
CRI	80+
Power Factor	>0.9
THD	<20%

Warranty

Five year limited warranty against defects in manufacturing

Replacement Comparison

SYSTEM	BALLAST FACTOR	INPUT WATTS*	LED ENERGY SAVINGS
TCP LED Strip Luminaire – 4 FT	—	32W	—
2 Lamp 32W HBF	1.18	65	51%
2 Lamp 32W NBF	0.88	59	46%
TCP LED Strip Luminaire – 8 FT	—	65W	—
4 Lamp 32W T8 HBF	1.18	153	58%
4 Lamp 32W T8 NBF	0.88	112	42%

*ACTUAL WATTAGE MAY DIFFER BY +/-10% WHEN OPERATING BETWEEN 120-277V.



Applications

TCP's LED General Purpose Strip Retrofit Kits easily replace existing fluorescent lamp and ballasts with an integrated LED system in 4 and 8 foot strip fixtures. These kits deliver bright, uniform light and long life, with the benefits of energy savings and low maintenance. Applications include general lighting, task lighting, aisles, warehouses, storage, manufacturing facilities and retail spaces.

Construction

- Visually appealing slim, low-profile design
- Heavy duty aluminum housing
- Durable UV stabilized powder coat finish
- Easy surface mounts onto housing of existing fluorescent strip fixture—universal design fits most 4.25" and 5.25" wide T8/T12 fluorescent strips

Electrical

- Universal 120-277V
- 0-10V dimming (standard)
- Long 50,000 hour rated life
- cULus damp location rated
- Optional emergency back-up
- Optional occupancy sensors with daylight harvesting (sold separately)

Optics

- Durable ribbed, frosted white diffuser lens
- Glare-free light distribution

Item Number	
Notes	Type



Listings

cULus Listed – damp location rated
RoHS Compliant
DLC 5.1 Standard

Warranty

Five year limited warranty against defects in manufacturing

Installation

Surface, suspended or pendant mounted

Before installation, please consult your local ordinances and building codes for compliance

Catalog Ordering Matrix Example: TCPGPR4UZDA850K

BRAND	SIZE	VOLTAGE	CONTROLS	LUMEN PACKAGE (POWER) ^{1,2}	CRI	CCT
TCPGPR – General Purpose Retrofit Kit	4 – 4 feet	U – 120V-277V	ZD – 0-10V Dimming	A – 4,200L (32W) B – 2,300L (18W)	8 – 80	35K – 3500K 40K – 4000K 50K – 5000K
	8 – 8 feet	U – 120V-277V	ZD – 0-10V Dimming	A – 8,500L (65W) B – 4,900L (38W)	8 – 80	35K – 3500K 40K – 4000K 50K – 5000K

¹ Actual wattage may vary by +/- 10%.

² Approximate lumen output. Actual performance may vary based on CCT, options selected and end user application.

ACCESSORIES (Ordered Separately; Sensors can be installed at the factory)

TS1 – TCP Occupancy Sensor w/bracket and interchangeable lenses, 40' or less, 120V, 277V, or 347V.

LS1 – Leviton PIR Occupancy Sensor w/bracket and interchangeable lenses, 40' or less, 120V, 277V or 347V

TCPGPS4LENS – GP Strip and Retrofit Lens 4FT Section

Performance Data

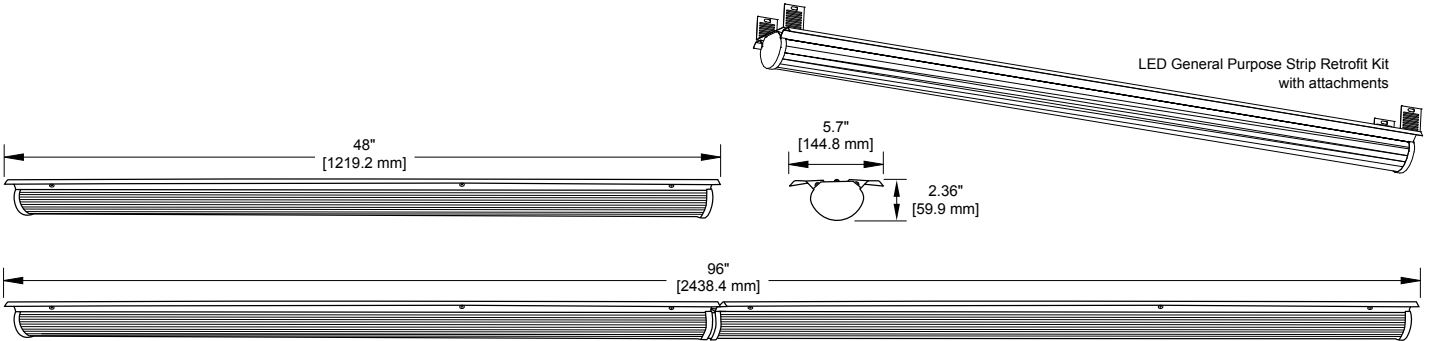
LUMEN PACKAGE	ITEM #	WATTAGE ¹	LUMENS ²	LPW	CRI	DIMENSIONS
A	TCPGPR4UZDA8xxK	32	4200	>130	80+	48" x 5.7" x 2.36"
	TCPGPR8UZDA8xxK	65	8500	>130	80+	96" x 5.7" x 2.36"
B	TCPGPR4UZDB8xxK	18	2300	>130	80+	48" x 5.7" x 2.36"
	TCPGPR8UZDB8xxK	38	4900	>130	80+	96" x 5.7" x 2.36"

¹ Actual wattage may vary by +/- 10%.

² Approximate lumen output. Actual performance may vary based on CCT, options selected and end user application.

For the most up-to-date specs and warranty information, please visit www.tcp.com

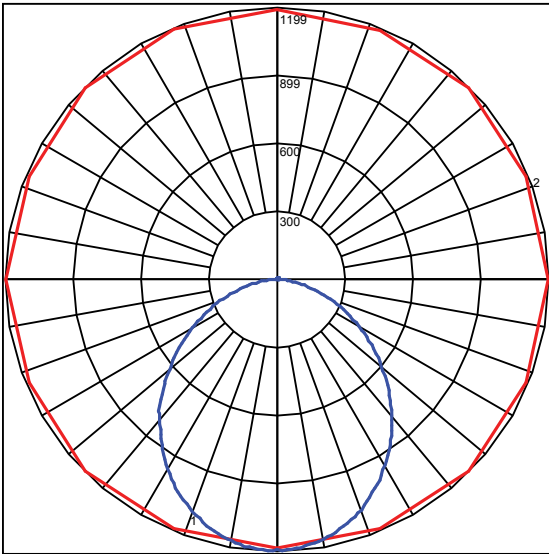
Dimensions and Mounting Data



Photometric Report

Based on photometric data for
TCP Item # TCPGPR4UZDA850K

Polar Graph



Maximum Candela = 1199.2 Located At Horizontal Angle = 180, Vertical Angle = 2
1 - Vertical Plane Through Horizontal Angles (180 - 0) (Through Max. Cd.)
2 - Horizontal Cone Through Vertical Angle (2) (Through Max. Cd.)

Coefficients of Utilization – Zonal Cavity Method

Effective Floor Cavity Reflectance 0.20

RC	80				70				50			30			10			0
RW	70	50	30	10	70	50	30	10	50	30	10	50	30	10	50	30	10	0
0	117	117	117	117	113	113	113	113	106	106	106	100	100	100	94	94	94	91
1	105	99	94	89	101	96	91	87	90	86	83	84	81	79	79	77	75	72
2	94	85	78	71	91	83	76	70	78	72	67	73	68	64	69	65	61	59
3	86	74	66	59	82	72	64	58	68	61	55	64	58	53	60	55	51	49
4	78	66	56	49	75	64	55	48	60	53	47	57	50	45	54	48	44	41
5	72	59	49	42	69	57	48	42	54	46	40	51	44	39	48	42	38	35
6	66	53	43	37	64	51	43	36	48	41	35	46	39	34	44	38	33	31
7	61	48	39	32	59	46	38	32	44	37	31	42	35	30	40	34	29	27
8	57	43	35	29	55	42	34	28	40	33	28	38	32	27	37	31	26	24
9	53	40	31	26	52	39	31	26	37	30	25	35	29	24	34	28	24	22
10	50	37	29	23	48	36	28	23	34	27	23	33	27	22	31	26	22	20

Zonal Lumen Summary

Zone	Lumens	%Lamp	%Fixt
0-20	434.65	N.A.	10.60
0-30	919.09	N.A.	22.40
0-40	1500.32	N.A.	36.50
0-60	2662.65	N.A.	64.80
0-80	3497.56	N.A.	85.10
0-90	3757.61	N.A.	91.40
10-90	3644.78	N.A.	88.70
20-40	1065.67	N.A.	25.90
20-50	1669.16	N.A.	40.60
40-70	1634.43	N.A.	39.80
60-80	834.91	N.A.	20.30
70-80	362.80	N.A.	8.80
80-90	260.05	N.A.	6.30
90-110	284.64	N.A.	6.90
90-120	331.75	N.A.	8.10
90-130	344.15	N.A.	8.40
90-150	349.47	N.A.	8.50
90-180	353.18	N.A.	8.60
110-180	68.55	N.A.	1.70
0-180	4110.79	N.A.	100.00

Total Luminaire Efficiency = N.A.%

Specifications and dimensions subject to change without notice.

TECHNOLOGY CAST IN A BEAUTIFUL LIGHT

For over 20 years, TCP has been designing, developing and delivering energy-efficient lighting into the market. Thanks to our cutting-edge technology and manufacturing expertise, we have shipped billions of high quality lighting products. With TCP, you can count on a lighting product that is designed to meet the needs of the market - that transforms your surroundings and envelopes you in warmth - lighting that generates beauty with every flip of the switch.

Sales:

Date:

Model:

Project:

Rep:

Catalog Number:

Type:

Notes:



For more information on the quality and care TCP can deliver, call us at **800.324.1496** or visit tcp.com

325 Campus Dr. | Aurora, Ohio 44202 | P: 800.324.1496 | F: 877.487.0516