

## LED Compact Wall Pack

### Product Specifications



TCP's LED Non-Cutoff Compact Wall Pack combines the look of a traditional wall pack with the benefits of LED. An efficient alternative to HID, these wall packs deliver bright, uniform light while providing energy savings. A long, 50,000 hour rated life significantly decreases maintenance labor and material costs over the life of the fixture.

The robust die-cast aluminum housing incorporates an impact-resistant polycarbonate lens. An integrated photocell is optional for dusk-to-dawn control. The wall pack mounts directly to a standard junction box for easy retrofit of traditional fixtures.

### Reasons to choose the LED Compact Wall Pack from TCP

- Delivers bright, white light with excellent uniformity
- Wet-location rated for safe outdoor usage
- Durable construction with die-cast aluminum housing and impact-resistant polycarbonate lens

### Ideal Applications

- Site Lighting
- Security Lighting
- Pathways
- Entrances
- Perimeters

## Applications

This product family can be effectively used in outdoor wall mount locations including commercial, industrial, retail and healthcare exterior lighting, parking lot, cargo door, high wall, area, security, etc.

## Construction

- Die-cast aluminum housing
- Impact-resistant polycarbonate lens
- Durable bronze powder coat

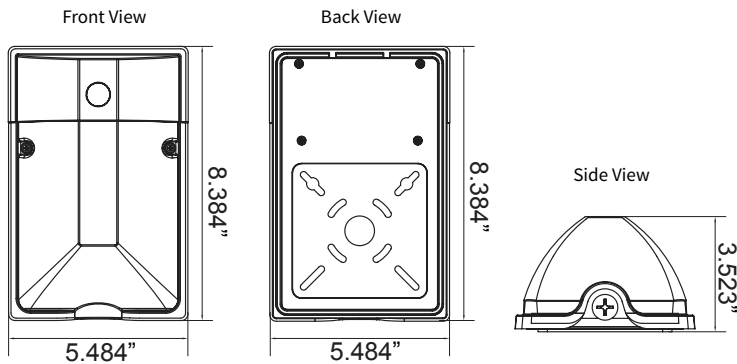
## Electrical

- cULus wet location rated
- Easy-to-access wiring compartment
- System rated for long 50,000 hour life
- Efficiently delivers up to 100 LPW

## Optics

- Polycarbonate lens
- Delivers bright, white light and excellent uniformity

## Dimensions



Approximate Luminaire Weight: 2.16 lbs

Item Number	
Notes	Type



### Listings

UL and cUL listed  
RoHS Compliant

### Warranty

Five year limited warranty against defects in manufacturing.

Item#	Description	DLC	Lumens	Wattage	LPW	Voltage	Power Factor	CCT	CRI	Life	L (in.)	H. (in.)	W (in.)
<b>LED COMPACT WALL PACK • 50,000 HOUR</b>													
WP2500150	LED Compact Wall Pack - Non Dim 50K	★	2250	25	90	120-277V	≥0.9	5000K	>80	50000	8.4	3.5	5.5
WP2500140S	LED Compact Wall Pack - Non Dim 40K W/PC	★	2250	25	90	120-277V	≥0.9	4000K	>80	50000	8.4	3.5	5.5
WP2500150S	LED Compact Wall Pack - Non Dim 50K W/PC	★	2250	25	90	120-277V	≥0.9	5000K	>80	50000	8.4	3.5	5.5

For the most up-to-date specs and warranty information, please visit [www.tcpi.com](http://www.tcpi.com)

TCP®

325 Campus Dr. | Aurora, Ohio 44202 | P: 800-324-1496 | [tcpi.com](http://tcpi.com)

©TCP OCT 2022 / WF210150



# TECHNOLOGY CAST IN A BEAUTIFUL LIGHT

For over 20 years, TCP has been designing, developing and delivering energy-efficient lighting into the market. Thanks to our cutting-edge technology and manufacturing expertise, we have shipped billions of high quality lighting products. With TCP, you can count on a lighting product that is designed to meet the needs of the market - that transforms your surroundings and envelopes you in warmth - lighting that generates beauty with every flip of the switch.

Sales:

Date:

Model:

Project:

Rep:

Catalog Number:

Type:

Notes:



For more information on the quality and care TCP can deliver, call us at **800.324.1496** or visit [tcp.com](http://tcp.com)

325 Campus Dr. | Aurora, Ohio 44202 | P: 800.324.1496 | F: 877.487.0516