



# LED Circline Lamps

## Product Specifications



TCP's new LED Circline Lamp provides the energy efficiency of the latest LED technology.

### Reasons to choose the LED Circline Lamps from TCP

- Energy-efficient LED technology provides cost savings over fluorescent technology
- 50,000 hour rated life means lower replacement and maintenance costs over the lifetime of the lamp
- Replace less often, ideal for hard to reach places
- LED alternative for old circline fluorescents
- Perfect for ceiling/surface mount circline fixtures

### Ideal Applications

- Restaurants
- Hotels
- Offices

### Specifications:

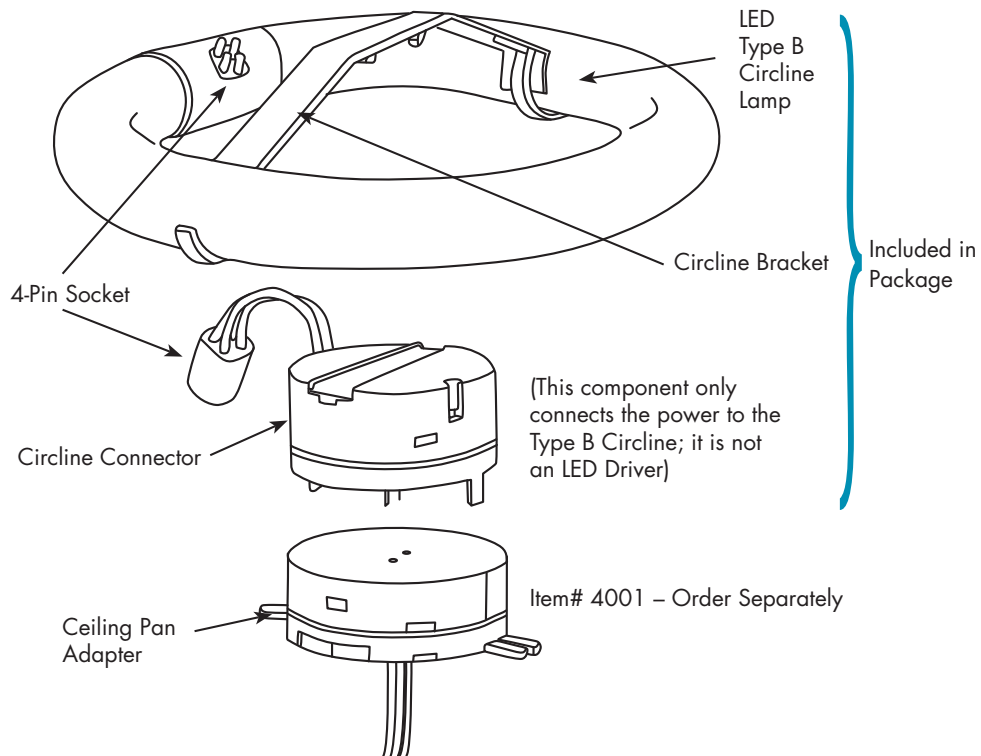
Voltage ..... 120-277V  
 Input Line Frequency..... 50/60HZ  
 Lamp Life (Rated) ..... 50,000 hours  
 Minimum Starting Temp ..... -22°F  
 Maximum Operating Temp..... 113°F

CRI ..... 80  
 Warranty ..... 5 Years  
 Suitable for use in totally enclosed fixtures

## Specifications:



ITEM #	DESCRIPTION	WATTS	LUMENS	COLOR	HOURS	CRI	ML (inches)	DIA (inches)	BEAM ANGLE	DIMMABLE	MIN START TEMP	MAX OPERATING TEMP	VOLTAGE	WARRANTY	MASTER PACK
L13T9N5027K	LED 13W T9 CIRCL W CONN 27K	13	1,900	2700K	50,000	80	2	8.75	360°	NO	-22F	113°F	120-277	5 YEARS	6
L13T9N5030K	LED 13W T9 CIRCL W CONN 30K	13	1,950	3000K	50,000	80	2	8.75	360°	NO	-22F	113°F	120-277	5 YEARS	6
L13T9N5041K	LED 13W T9 CIRCL W CONN 41K	13	2,000	4100K	50,000	80	2	8.75	360°	NO	-22F	113°F	120-277	5 YEARS	6
L13T9N5050K	LED 13W T9 CIRCL W CONN 50K	13	2,000	5000K	50,000	80	2	8.75	360°	NO	-22F	113°F	120-277	5 YEARS	6



# TECHNOLOGY CAST IN A BEAUTIFUL LIGHT

For over 30 years, TCP has been designing, developing and delivering energy-efficient lighting into the market. Thanks to our cutting-edge technology and manufacturing expertise, we have shipped billions of high quality lighting products. With TCP, you can count on a lighting product that is designed to meet the needs of the market - that transforms your surroundings and envelopes you in warmth - lighting that generates beauty with every flip of the switch.

Sales:

Date:

Model:

Project:

Rep:

Catalog Number:

Type:

Notes:



For more information on the quality and care TCP can deliver, call us at **800.324.1496** or visit [tcp.com](http://tcp.com)

325 Campus Dr. | Aurora, Ohio 44202 | P: 800.324.1496 | F: 877.487.0516