



# Horticulture LED Area Light

## Product Specifications



The TCP LED HTAL Series Horticulture Area Light features a lightweight design to support both the flowering and growth stages of plant development. This durable, 50°C rated fixture efficiently delivers up to 583  $\mu\text{mol/s}$  of photosynthetic photon flux while maximizing energy savings due to an efficacy of up to 2.61  $\mu\text{mol/J}$ . The long 50,000 hour rated life significantly decreases maintenance, labor, and material costs over the life of the fixture.

### Reasons to choose the LED HTAL Series Horticulture Area Light from TCP

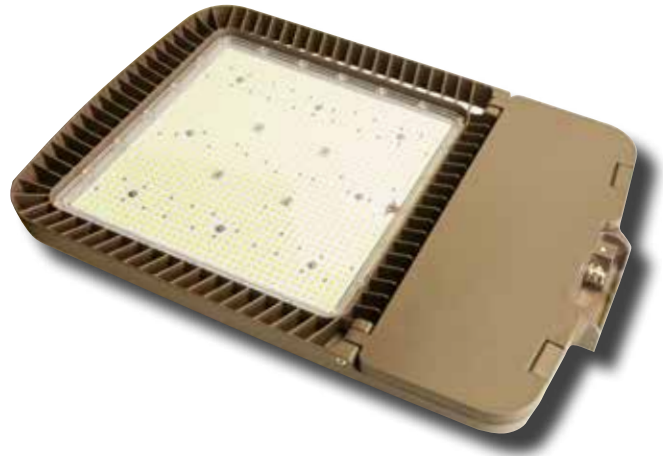
- High efficacy: up to 2.61  $\mu\text{mol/J}$
- Powerful 583  $\mu\text{mol/s}$  photosynthetic photon flux
- Instant on, no warm-up time for full light
- Long life: 50,000 hours
- Lightweight and low Effective Projected Area (EPA) reduces stress on existing poles
- IP65 rating prevents dirt and grime buildup behind fixture lens

### Ideal Applications

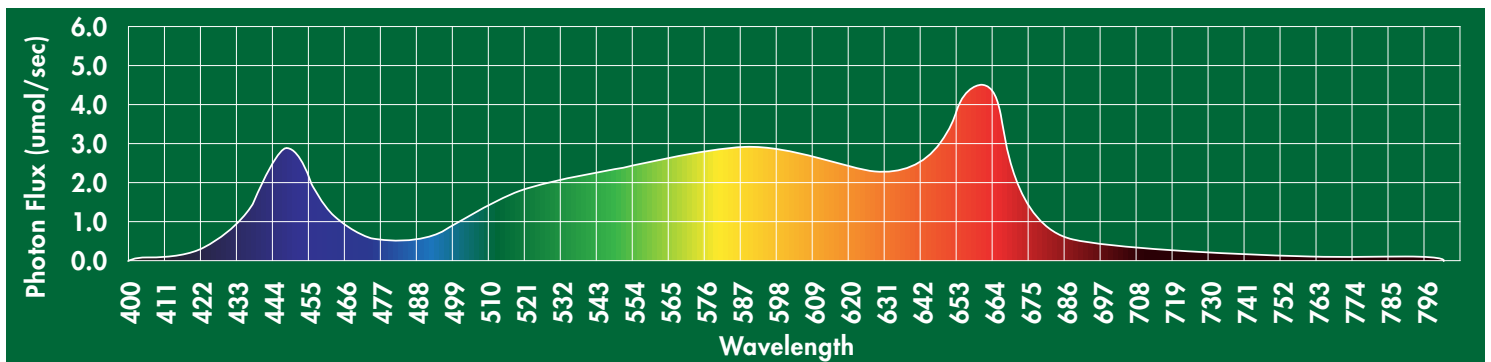
- Outdoor Production Lighting
- Supplemental Growth Lighting
- Field and Crop Lighting

## Specifications

Input Line Voltage .....	120-277 VAC
Input Line Frequency (Hz).....	50/60HZ
Wattage (W).....	240W
Photosynthetic Photon Efficacy (PPF).....	≤2.61 μmol/J
Rated Life.....	50,000 hours
Minimum Starting Temperature .....	-40°C (-40°F)
Maximum Operating Temperature.....	50°C (122°F)
Power Factor .....	>0.90
THD.....	<20%
Ratings .....	cULus wet location rated, IP65
Controls.....	0-10V dimming (standard)



## All Purpose Growth Spectrum



TCP's full spectrum technology provides a balanced blend of blue, green and red light to ensure plants grow healthy and strong. The distinct red peak at 660nm results in a powerful photosynthesis contribution. A blue peak shown at 440nm reduces unwanted stem elongation and leads to strong, healthy, and compact plants. Lastly, TCP's full spectrum includes a generous amount of green light, removing any need for green supplemental lighting when checking plant health.

## Applications

TCP's Horticulture LED Area Lights feature a low profile, 3G vibration rated design that delivers a bright, uniform light while saving energy over traditional HID sources. Maintenance costs are virtually eliminated over their long-rated life. Applications include outdoor plant growth settings where supplemental lighting is needed.

## Construction

- Visually appealing slim, low-profile design
- Flat top design promotes self cleaning during rain events
- Heavy duty die-cast aluminum housing
- Durable UV stabilized powder coat finish

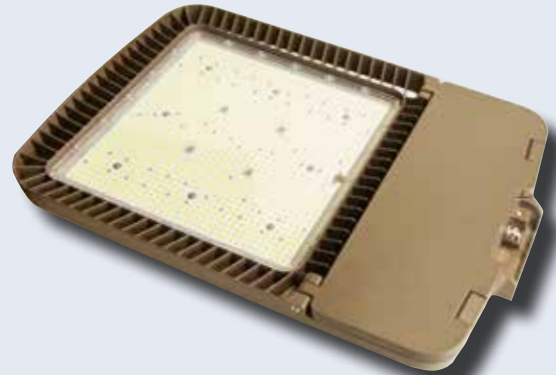
## Electrical

- Accepts 120-277V or 277-480V
- NEMA 3-pin & 7-pin photocontrol receptacle options available
- System rated for long 50,000 hour rated life
- cULus wet location rated
- 10KV (120-277V) and 20KV (277-480V), surge suppression comes standard

## Optics

- Durable acrylic optics resist yellowing

Item Number	
Notes	Type



### Listings

UL/cUL Listed  
RoHS Compliant

### Warranty

Five year limited warranty against defects in manufacturing.

## Catalog Ordering Matrix Example: HTALUZDG4S1

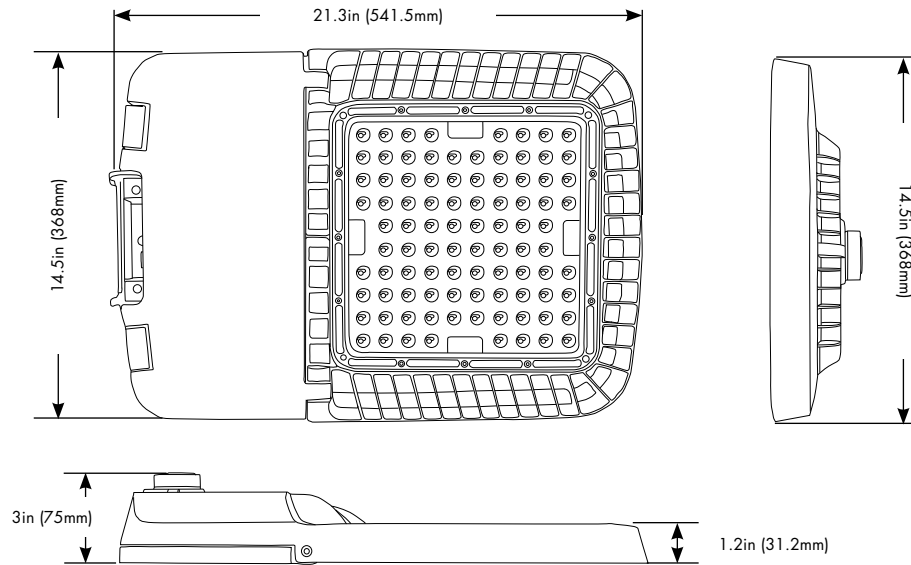
FAMILY	VOLTAGE	CONTROLS/DIMMING	LUMEN PACKAGE	SPECTRUM
HTAL - Horticulture Area Light	U - 120-277V H - 347/480V	ZD - 0-10V Dimming	G4 - 30,200 Lumens (240W)	S1 - Full Spectrum

### Accessories:

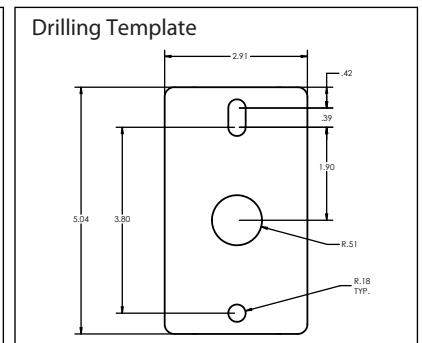
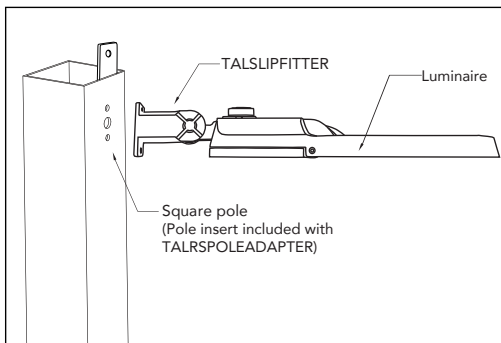
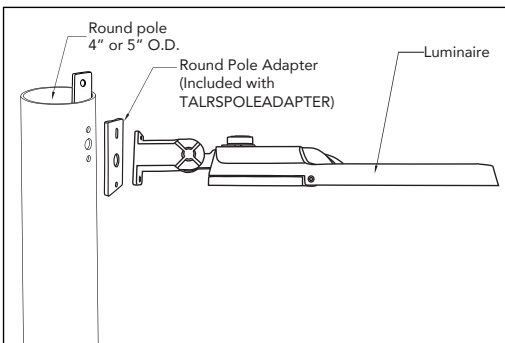
FIELD INSTALLED ACCESSORIES:	
4INPOLEREDUCER	4" Pole Reducer
5INPOLEREDUCER	5" Pole Reducer
TALSHIELD2	Backlight Shield
PC3UNDBU	3 Pin ON/OFF only photocontrol for use with 120-277V applications
PC7UDIMBU	7 Pin ON/OFF + daylight harvest photocontrol for use with 120-277V applications
PC3HNDBU	3 Pin ON/OFF only photocontrol for use with 347-480V applications
PC7HDIMBU	7 Pin ON/OFF + daylight harvest photocontrol for use with 347-480V applications

For the most up-to-date specs and warranty information, please visit [www.tcpi.com](http://www.tcpi.com)

## Product Dimensions



## Mounting Diagrams



# TECHNOLOGY CAST IN A BEAUTIFUL LIGHT

For over 20 years, TCP has been designing, developing and delivering energy-efficient lighting into the market. Thanks to our cutting-edge technology and manufacturing expertise, we have shipped billions of high quality lighting products. With TCP, you can count on a lighting product that is designed to meet the needs of the market - that transforms your surroundings and envelopes you in warmth - lighting that generates beauty with every flip of the switch.

Sales:

Date:

Model:

Project:

Rep:

Catalog Number:

Type:

Notes:



For more information on the quality and care TCP can deliver, call us at **800.324.1496** or visit [tcp.com](http://tcp.com)

325 Campus Dr. | Aurora, Ohio 44202 | P: 800.324.1496 | F: 877.487.0516