



Classic Bell Half Sconce

Product Specifications



TCP's LED Classic Bell Half Sconce provides long-lasting illumination for both residential and commercial applications. This "bulb-in-a-box" solution comes prepackaged with LED bulbs for ease of installation and a guarantee of high CRI, flicker-free LED performance.

Reasons to Choose the Classic Bell Half Sconce from TCP

- LED bulb included (A19, E26)
- Three color temperatures available: 2700K, 3000K or 4100K
- High 90 CRI value provides excellent color rendering and consistency
- Dimmable
- Brushed nickel and oil-rubbed bronze finishes available
- Five-year limited warranty

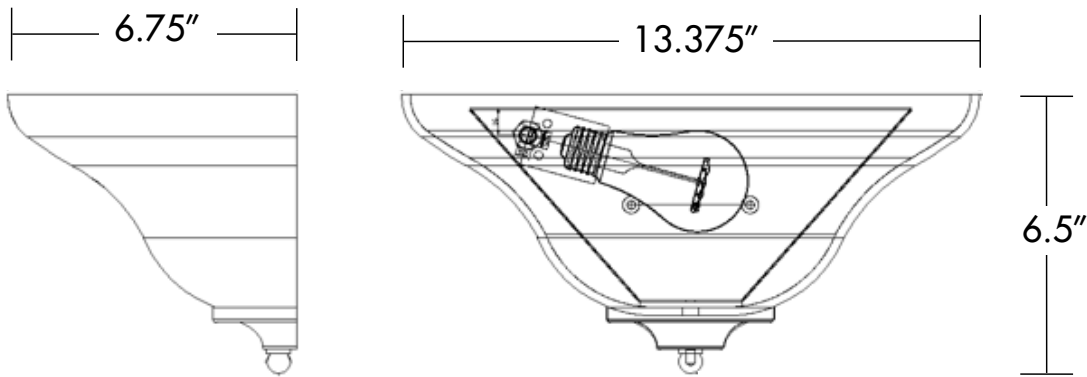
Ideal Applications

- Residential
- Hospitality
- New construction
- Remodeling

Specifications

Input Line Voltage	120V	Color Temperature	2700K, 3000K, 4100K
Input Line Frequency	60Hz	Lamp Life (hours)	25,000
Wattage (W)	6W	Minimum Starting Temperature	-22°C (-8°F)
Lumens (L)	475L	Maximum Operating Temperature	45°C (113°F)
LPW	79	Certification	cETLus
CRI	90	Warranty	5-year limited

Dimensions



Ordering Information

ITEM #	DESCRIPTION	FIXTURE COLOR	COLOR	TITLE 20	JA8
CLHSC1BBND27K	Classic Half Sconce Bell 1-lamp BN Dim 27K	Brushed Nickel	2700K	Y	Y
CLHSC1BBND30K	Classic Half Sconce Bell 1-lamp BN Dim 30K	Brushed Nickel	3000K	Y	Y
CLHSC1BBND41K	Classic Half Sconce Bell 1-lamp BN Dim 41K	Brushed Nickel	4100K	Y	N
CLHSC1BORBD27K	Classic Half Sconce Bell 1-lamp ORB Dim 27K	Oil-rubbed Bronze	2700K	Y	Y
CLHSC1BORBD30K	Classic Half Sconce Bell 1-lamp ORB Dim 30K	Oil-rubbed Bronze	3000K	Y	Y
CLHSC1BORBD41K	Classic Half Sconce Bell 1-lamp ORB Dim 41K	Oil-rubbed Bronze	4100K	Y	N

TECHNOLOGY CAST IN A BEAUTIFUL LIGHT

For over 20 years, TCP has been designing, developing and delivering energy-efficient lighting into the market. Thanks to our cutting-edge technology and manufacturing expertise, we have shipped billions of high quality lighting products. With TCP, you can count on a lighting product that is designed to meet the needs of the market - that transforms your surroundings and envelopes you in warmth - lighting that generates beauty with every flip of the switch.

Sales:

Date:

Model:

Project:

Rep:

Catalog Number:

Type:

Notes:



For more information on the quality and care TCP can deliver, call us at **800.324.1496** or visit tcp.com

325 Campus Dr. | Aurora, Ohio 44202 | P: 800.324.1496 | F: 877.487.0516