

Luxterior

by TCP

120V-347V LED General Purpose Strip

Product Specifications



TCP's LED General Purpose Strip Luminaires are designed to efficiently deliver robust performance while maximizing savings.

These integrated LED luminaires significantly reduce energy consumption compared to fluorescent systems, providing instant energy savings along with the ability to take advantage of potential utility rebates. A long 50,000 hour rated life significantly decreases maintenance labor and material costs over the life of the fixture.

TCP's General Purpose Strip incorporates a ribbed, frosted white diffuser lens to protect the LEDs and minimize glare, while delivering bright, uniform light.

Reasons to choose the TCP LED General Purpose Strip

- Uses up to 58% less energy compared to traditional fluorescent systems
- Long 50,000 hour rated life
- Excellent color consistency and CRI
- 0-10V dimming driver comes standard
- Mercury free
- Easy to install - surface mount, suspended or pendant

Ideal Applications

- General Lighting
- Task Lighting
- Aisles
- Warehouses
- Storage
- Retail
- Manufacturing Facilities

TCP®
325 Campus Dr. | Aurora, Ohio 44202 | P: 800-324-1496 | tcp.com



5 YEAR WARRANTY

Not all versions of this product are qualified on the DLC QPL. To view our DLC qualified products, please consult the DLC Qualified Products List at www.designlights.org/qpl.

Specifications

Input Line Voltage	120-347V AC
Input Line Frequency (Hz)	50/60Hz
Lumens / Wattage (W)	
A Package:	
4 ft:	4,200L (32W)
8 ft:	8,500L (65W)
Lumens per Watt (LPW).....	>130 LPW
Color Temperature (CCT)	3500K, 4000K & 5000K
Dimming	0-10V (standard)
Controls.....	Occupancy sensor (optional)
Rated Life.....	>50,000 hours
Operating Temperature.....	-20°C to 50°C
CRI	80+
Power Factor	>0.9
THD.....	<20%

Warranty

Five year limited warranty against defects in manufacturing

Replacement Comparison

SYSTEM	BALLAST FACTOR	INPUT WATTS*	LED ENERGY SAVINGS
TCP LED Strip Luminaire – 4 FT	—	32W	—
2 Lamp 32W HBF	1.18	65	51%
2 Lamp 32W NBF	0.88	59	46%
TCP LED Strip Luminaire – 8 FT	—	65W	—
4 Lamp 32W T8 HBF	1.18	153	58%
4 Lamp 32W T8 NBF	0.88	112	42%

*Actual wattage may differ by +/-10%.



Applications

TCP's LED General Purpose Strip Luminaires deliver bright, uniform light and long life, with the benefits of energy savings and low maintenance. Applications include general lighting, task lighting, aisles, warehouses, storage, manufacturing facilities and retail spaces.

Construction

- Visually appealing slim, low-profile design
- Heavy duty aluminum housing
- Durable UV stabilized powder coat finish
- Easy surface mount, suspended or pendant installation

Electrical

- Universal 120-347V AC
- 0-10V dimming (standard)
- Long 50,000 hour rated life
- cULus damp location rated
- Optional occupancy sensors (sold separately)

Optics

- Durable ribbed, frosted white diffuser lens
- Glare-free light distribution

Item Number	
Notes	Type
	
Listings cULus Listed – damp location rated RoHS Compliant DLC v5.1 Standard	Installation Surface, suspended or pendant mounted Before installation, please consult your local ordinances and building codes for compliance
Warranty Five year limited warranty against defects in manufacturing	

Catalog Ordering Matrix Example: TCPGPS4HZDA840K

BRAND	SIZE	VOLTAGE	CONTROLS	LUMEN PACKAGE (POWER) ^{1,2}	CCT
TCPGPS – General Purpose Strip	2 – 2 feet	H – 120V – 347V	ZD – 0-10V Dimming	A8 – 2500L (20W)	35K – 3500K 40K – 4000K 50K – 5000K
	4 – 4 feet	H – 120V – 347V	ZD – 0-10V Dimming	A8 – 4200L (32W)	35K – 3500K 40K – 4000K 50K – 5000K
	8 – 8 feet	H – 120V – 347V	ZD – 0-10V Dimming	A8 – 8500L (65W)	35K – 3500K 40K – 4000K 50K – 5000K

AVAILABLE CONTROLS (ordered separately):

LS1 – Leviton Occupancy Sensor w/bracket and interchangeable lenses, 40' or less, 120V, 277V, or 347V.

Lumen Maintenance Factor

	36,000 hours ¹	50,000 hours ²	100,000 hours ²	Reported L ₇₀ (hours) ¹
TCPGPS4HZDA8xxK	90.61%	86.90%	74.82%	>36,000
TCPGPS8HZDA8xxK	90.61%	86.90%	74.82%	>36,000

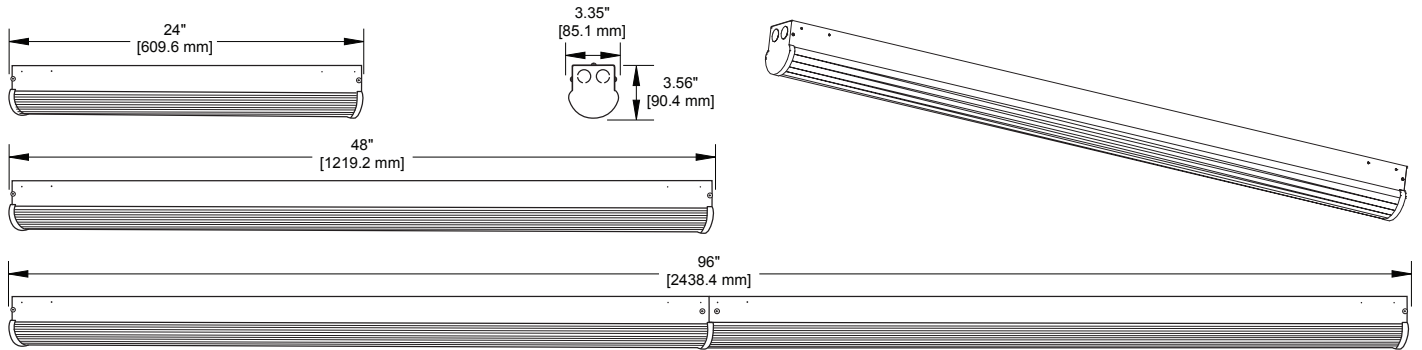
¹ IESNA TM-21-11 projected value based on 6X IESNA LM-80-08 total test duration of 6,000 hours.

² IESNA TM-21-11 calculated value exceeds 6X IESNA LM-80-08 total test duration of 6,000 hours.

¹ Actual wattage may vary by +/- 10%.

² Approximate lumen output. Actual performance may vary based on CCT, options selected and end user application.

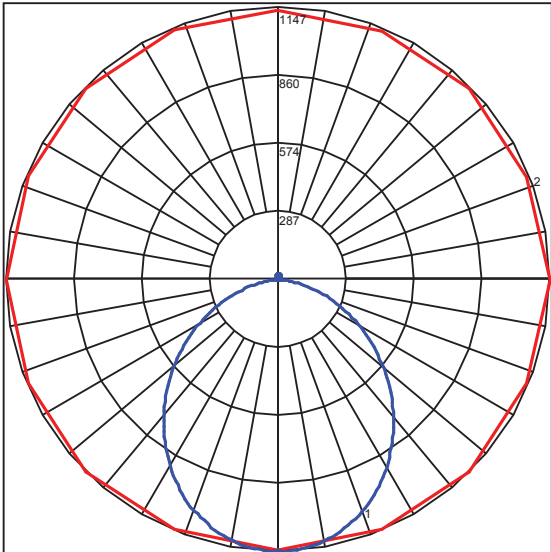
Dimensions and Mounting Data



Photometric Report

Based on photometric data for
TCP Item # TCPGPS4HZDA850K

Polar Graph



Maximum Candela = 1147.2 Located At Horizontal Angle = 0, Vertical Angle = 1
1 - Vertical Plane Through Horizontal Angles (0 - 180) (Through Max. Cd.)
2 - Horizontal Cone Through Vertical Angle (1) (Through Max. Cd.)

Coefficients of Utilization – Zonal Cavity Method

Effective Floor Cavity Reflectance 0.20

RC	80				70				50			30			10			0	
	RW	70	50	30	10	70	50	30	10	50	30	10	50	30	10	50	30		10
0	116	116	116	116	116	112	112	112	112	105	105	105	98	98	98	91	91	91	88
1	104	98	93	89	100	95	90	86	88	85	81	82	79	77	77	75	72	69	69
2	94	85	77	71	90	82	75	69	76	71	66	71	67	62	67	63	59	56	56
3	85	74	65	58	82	71	63	57	67	60	54	62	57	52	58	54	50	47	47
4	78	65	56	49	75	63	55	48	59	52	46	55	49	44	52	47	42	40	40
5	71	58	49	42	68	56	48	41	53	45	40	50	43	38	47	41	37	34	34
6	66	52	43	36	63	51	42	36	48	40	35	45	38	33	42	37	32	30	30
7	61	47	38	32	59	46	37	32	43	36	30	41	34	29	39	33	28	26	26
8	57	43	34	28	55	42	34	28	40	32	27	37	31	26	35	30	25	23	23
9	53	39	31	26	51	38	31	25	36	29	24	34	28	24	33	27	23	21	21
10	50	36	28	23	48	35	28	23	34	27	22	32	26	21	30	25	21	19	19

Zonal Lumen Summary

Zone	Lumens	%Lamp	%Fixt
0-20	415.69	N.A.	10.20
0-30	878.65	N.A.	21.50
0-40	1434.12	N.A.	35.10
0-60	2550.13	N.A.	62.40
0-80	3357.43	N.A.	82.20
0-90	3610.82	N.A.	88.40
10-90	3502.91	N.A.	85.70
20-40	1018.43	N.A.	24.90
20-50	1596.47	N.A.	39.10
40-70	1571.34	N.A.	38.50
60-80	807.30	N.A.	19.80
70-80	351.97	N.A.	8.60
80-90	253.40	N.A.	6.20
90-110	299.66	N.A.	7.30
90-120	374.85	N.A.	9.20
90-130	416.03	N.A.	10.20
90-150	457.55	N.A.	11.20
90-180	474.61	N.A.	11.60
110-180	174.95	N.A.	4.30
0-180	4085.43	N.A.	100.00

Total Luminaire Efficiency = N.A. %

Specifications and dimensions subject to change without notice.

TCP®

325 Campus Dr. | Aurora, Ohio 44202 | P: 800-324-1496 | tcp.com

©TCP APR 2023/WF138303



5 YEAR WARRANTY

Not all versions of this product are qualified on the DLC QPL. To view our DLC qualified products, please consult the DLC Qualified Products List at www.designlights.org/qpl.

TECHNOLOGY CAST IN A BEAUTIFUL LIGHT

For over 20 years, TCP has been designing, developing and delivering energy-efficient lighting into the market. Thanks to our cutting-edge technology and manufacturing expertise, we have shipped billions of high quality lighting products. With TCP, you can count on a lighting product that is designed to meet the needs of the market - that transforms your surroundings and envelopes you in warmth - lighting that generates beauty with every flip of the switch.

Sales:

Date:

Model:

Project:

Rep:

Catalog Number:

Type:

Notes:



For more information on the quality and care TCP can deliver, call us at **800.324.1496** or visit tcp.com

325 Campus Dr. | Aurora, Ohio 44202 | P: 800.324.1496 | F: 877.487.0516